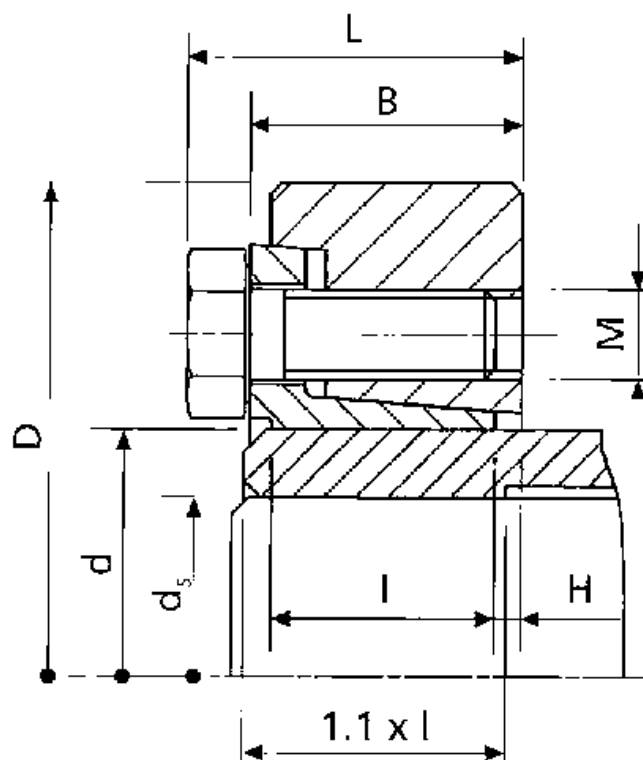


Article number: 437900135

Description: Rota-fix shaft-hub connection SA 135

## Measures



B mm = 57.5  
 d H8 mm = 135  
 D mm = 230.0  
 ds mm = 95  
 F kN torque = 387  
 H = 6.5  
 I mm = 47.0  
 L mm = 66.5

M mm = M14  
 T N m torque = 18400  
 Ts N m bolt tightening torque = 160